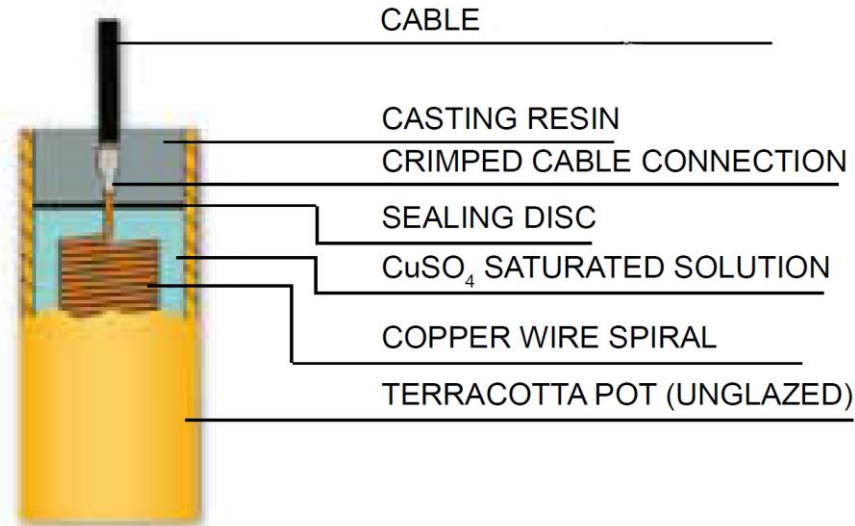


## DATA SHEET

REFERENCE ELECTRODE



### Electrical Properties of Cu/CuSO4 Reference Electrode

Potential: 70±20 mV

(Respect to SCE Reference Electrode)

Potential: 320±20 mV

(Respect to SHE Reference Electrode)

**Type of Reference Electrode:** Permanent

**Insulation material:** Epoxy Resin

#### Specification

Anode Dimension (mm) L=250 ; D=150

Bag Dimension (mm): L=410 ; D=210

length=40000 Size=1\*16(mm<sup>2</sup>)

#### Cable(mm)

Shiled: HMWPE/PVDF


**Backfill:** Gypsum=75, Bentonit=20, sodium sulphat=5

**Gross Weight Without Backfill:**

5kg

**Gross Weight with Backfill:**

13kg

Date:	 Tavanazob Sanaati Kavir Manufacturer of Cathodic protection accessories Mahmoodabad industrial park, Qom-Tehran highway, Iran Tel: (+98-21)66159153 Fax: (+98-21)43851223 Email: <a href="mailto:Info@anode.ir">Info@anode.ir</a> Website: <a href="http://www.anode.ir">www.anode.ir</a>				<b>client approval</b>	
Description:	<b>Cu/CuSO4 Reference Electrode</b>					
	Order number:					
Rev.	Drawn:	M. Sarabadan	Date:	05/06/2019	Project:	Sheet 1/1
	Cheked:	J.pourjam	Date:	05/07/2019	<b>Approved by TAVANAZOB KAVIR Co.</b>	
	Approved:	A. Rahmani	Date:	05/07/2019	Standard: <b>BS 7361</b>	A4